

# Fitting Details

What we need from your third party fitter

**Completed by:**

**Date of fit:**

**Seat position - Centre of seat rail:**

SX\*

SY\*

**Bar Position - Centre of bar:**

HX\*

HY\*

**Measurements:**

- Crank length
- Seat height from BB      A
- Seat setback                      B
- Seat to bar drop                      C
- Nose to bar                              D


**Seat brand and model:**

**Pedals:**

**Bars brand and model:**

- Width c-c hoods
- Width c-c drops
- Reach
- Drop/Rise

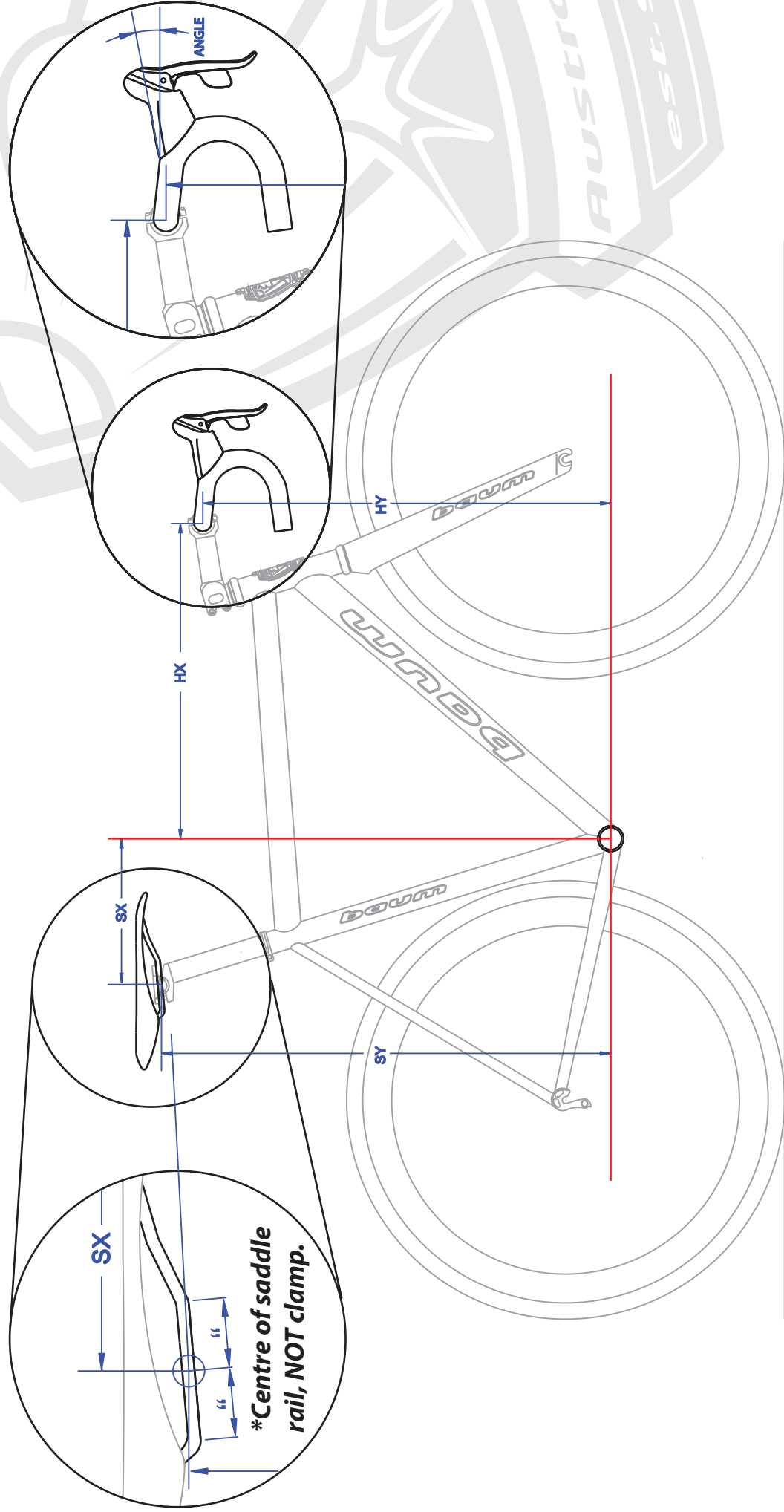

**Lever type:**

- Front brake lever
- Measurement
- Angle


\*X-Y data must be included.

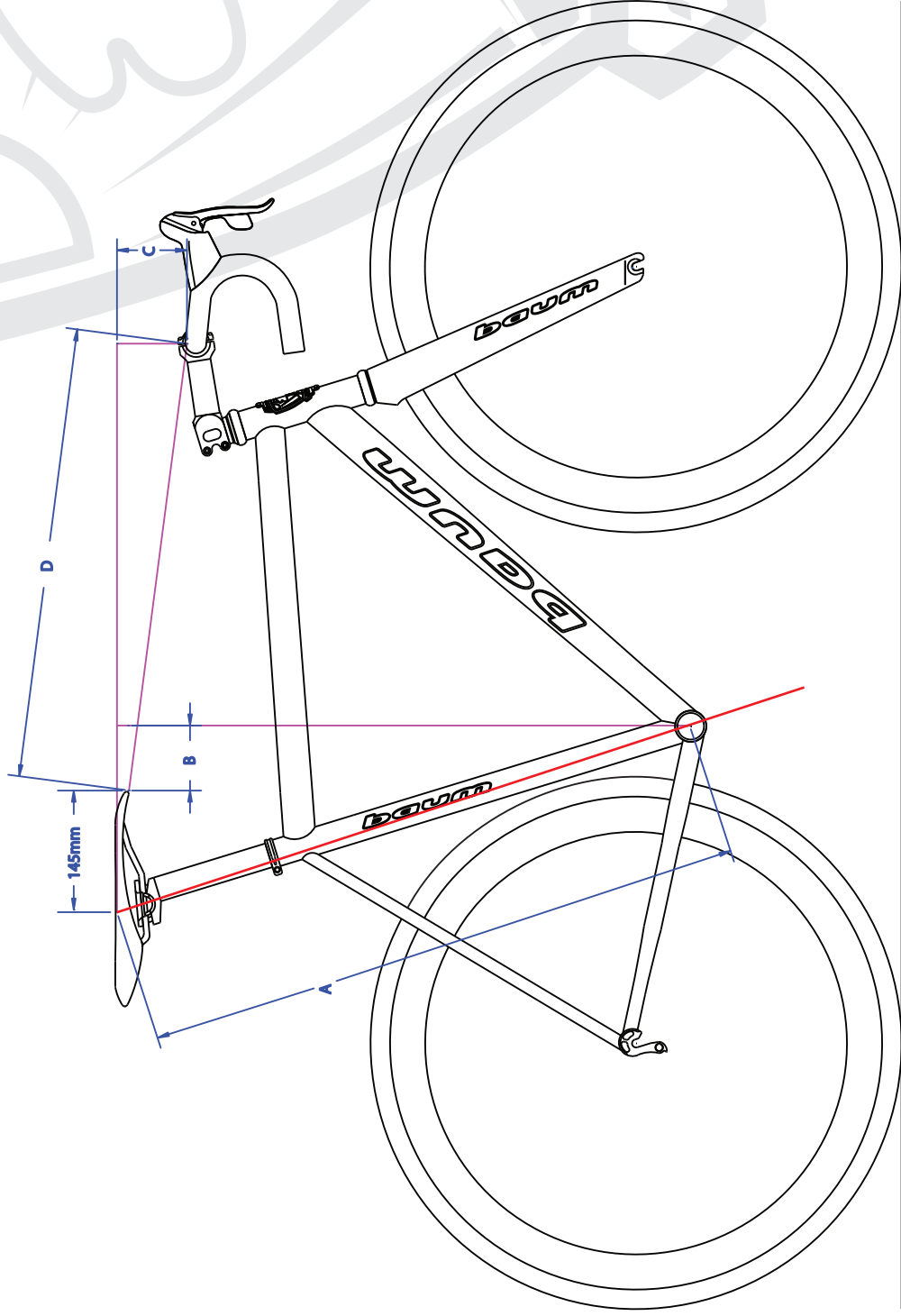
# Fitting Details

XY Data:



# Fitting Details

Positional Data:



# Fitting Details

Handlebars:

